

DRAWER SYSTEM



Modernes Design- Mehr Platz- Einfache Montage
Modern Design - More Space - Easy Assembly



Geräuschloses, langsames Schließen
Silent slow motion



TÜV Zertifikat für 50,000 Schließzyklen mit einer
Belastung von 35kg
TÜV certification for 50,000 cycles by 35kg loading



No.	Icon 1	Icon 2	No.	Icon 1	Icon 2
2101.250	250	15-20	2101.450	450	15-20
2101.300	300	15-20	2101.500	500	15-20
2101.350	350	15-20	2101.550	550	15-20
2101.400	400	15-20	2101.600	600	15-20



No.	Icon 1	Icon 2	No.	Icon 1	Icon 2
2102.250	250	15-20	2102.450	450	15-20
2102.300	300	15-20	2102.500	500	15-20
2102.350	350	15-20	2102.550	550	15-20
2102.400	400	15-20	2101.600	600	15-20



No.	Icon 1	Icon 2	No.	Icon 1	Icon 2
2103.250	250	15-20	2103.450	450	15-20
2103.300	300	15-20	2103.500	500	15-20
2103.350	350	15-20	2103.550	550	15-20
2103.400	400	15-20	2103.600	600	15-20



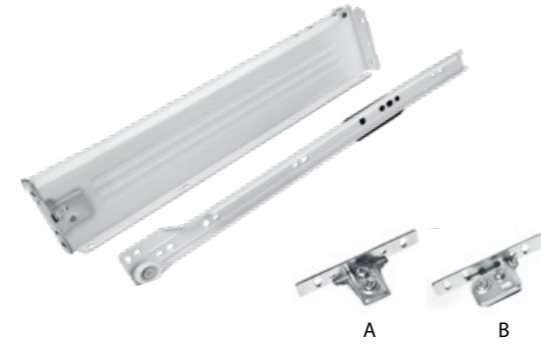
No.	Icon 1	Icon 2	No.	Icon 1	Icon 2
2104.250	250	15-20	2104.450	450	15-20
2104.300	300	15-20	2104.500	500	15-20
2104.350	350	15-20	2104.550	550	15-20
2104.400	400	15-20	2104.600	600	15-20



No.	Icon 1	Icon 2	No.	Icon 1	Icon 2
2105.250	250	15-20	2105.450	450	15-20
2105.300	300	15-20	2105.500	500	15-20
2105.350	350	15-20	2105.550	550	15-20
2105.400	400	15-20	2105.600	600	15-20



No.					
2211.001	External buffer, Applicable 21XX Series				



No.	Icon 1	Icon 2	Icon 3	No.	Icon 1	Icon 2	Icon 3
2201.270	54	270mm	25	2201.450	54	450mm	25
2201.300	54	300mm	25	2201.500	54	500mm	25
2201.350	54	350mm	25	2201.550	54	550mm	25
2201.400	54	400mm	25	2201.600	54	600mm	25



No.	Icon 1	Icon 2	Icon 3	No.	Icon 1	Icon 2	Icon 3
2201.270	86	270	25	2201.450	86	450	25
2201.300	86	300	25	2201.500	86	500	25
2201.350	86	350	25	2201.550	86	550	25
2201.400	86	400	25	2201.600	86	600	25



No.	Icon 1	Icon 2	Icon 3	No.	Icon 1	Icon 2	Icon 3
2202.270	118	270	25	2202.450	118	450	25
2202.300	118	300	25	2202.500	118	500	25
2202.350	118	350	25	2202.550	118	550	25
2202.400	118	400	25	2202.600	118	600	25



No.	Icon 1	Icon 2	Icon 3	No.	Icon 1	Icon 2	Icon 3
2203.270	150	270	25	2203.450	150	450	25
2203.300	150	300	25	2203.500	150	500	25
2203.350	150	350	25	2203.550	150	550	25
2203.400	150	400	25	2203.600	150	600	25



No.	Icon 1	Icon 2	Icon 3	No.	Icon 1	Icon 2	Icon 3
2210.300	/	300	/	2210.500	/	500	/
2210.350	/	350	/	2210.550	/	550	/
2210.400	/	400	/	2210.600	/	600	/
2210.450	/	450	/				



No.					
2212.001	External buffer, Applicable 22XX Series				



No.	17	182	10	No.	17	310	10
2301.182	17	182	10	2301.310	17	310	10
2301.214	17	214	10	2301.342	17	342	10
2301.246	17	246	10	2301.374	17	374	10
2301.278	17	278	10	2301.438	17	438	10



No.	17	182	10	No.	17	310	10
2303.182	17	182	10	2303.310	17	310	10
2303.214	17	214	10	2303.342	17	342	10
2303.246	17	246	10	2303.374	17	374	10
2303.278	17	278	10	2303.438	17	438	10



No.	35	250	25	No.	35	450	25
2311.250	35	250	25	2311.450	35	450	25
2311.300	35	300	25	2311.500	35	500	25
2311.350	35	350	25	2311.550	35	550	25
2311.400	35	400	25	2311.600	35	600	25



No.	40	250	25	No.	40	450	25
2312.250	40	250	25	2312.450	40	450	25
2312.300	40	300	25	2312.500	40	500	25
2312.350	40	350	25	2312.550	40	550	25
2312.400	40	400	25	2312.600	40	600	25



No.	27	250	10	No.	27	450	10
2304.250	27	250	10	2304.450	27	450	10
2304.300	27	300	10	2304.500	27	500	10
2304.350	27	350	10	2304.550	27	550	10
2304.400	27	400	10				



No.	27	246	15	No.	27	374	15
2305.250	27	246	15	2305.450	27	374	15
2305.300	27	278	15	2305.500	27	406	15
2305.350	27	310	15	2305.550	27	438	15
2305.400	27	342	15				



No.	42	250	25	No.	42	450	25
2313.250	42	250	25	2313.450	42	450	25
2313.300	42	300	25	2313.500	42	500	25
2313.350	42	350	25	2313.550	42	550	25
2313.400	42	400	25	2313.600	42	600	25



No.	45	250	35-45	No.	45	450	35-45
2314.250	45	250	35-45	2314.450	45	450	35-45
2314.300	45	300	35-45	2314.500	45	500	35-45
2314.350	45	350	35-45	2314.550	45	550	35-45
2314.400	45	400	35-45	2314.600	45	600	35-45



No.	30	250	25	No.	30	450	25
2309.250	30	250	25	2309.450	30	450	25
2309.300	30	300	25	2309.500	30	500	25
2309.350	30	350	25	2309.550	30	550	25
2309.400	30	400	25	2309.600	30	600	25



No.	32	250	25	No.	32	450	25
2310.250	32	250	25	2310.450	32	450	25
2310.300	32	300	25	2310.500	32	500	25
2310.350	32	350	25	2310.550	32	550	25
2310.400	32	400	25	2310.600	32	600	25



No.	45	275.4	35-45	No.	45	475.4	35-45
2315.250	45	275.4	35-45	2315.450	45	475.4	35-45
2315.300	45	325.4	35-45	2315.500	45	525.4	35-45
2315.350	45	375.4	35-45	2315.550	45	575.4	35-45
2315.400	45	425.4	35-45	2315.600	45	625.4	35-45



No.	45	250	35-45	No.	45	450	35-45
2323.250	45	250	35-45	2323.450	45	450	35-45
2323.300	45	300	35-45	2323.500	45	500	35-45
2323.350	45	350	35-45	2323.550	45	550	35-45
2323.400	45	400	35-45	2323.600	45	600	35-45



No.	Icon 1	Icon 2	Icon 3	No.	Icon 1	Icon 2	Icon 3
2318.500	53	500	70	2318.800	53	800	70
2318.600	53	600	70	2318.900	53	900	70
2318.700	53	700	70	2318.100	53	1000	70



No.	Icon 1	Icon 2	Icon 3	No.	Icon 1	Icon 2	Icon 3
2319.500	53	500	70	2319.800	53	800	70
2319.600	53	600	70	2319.900	53	900	70
2319.700	53	700	70	2319.100	53	1000	70



No.	Icon 1	Icon 2	Icon 3	No.	Icon 1	Icon 2	Icon 3
2402.300	35	300	30	2402.500	35	500	30
2402.350	35	350	30	2402.550	35	550	30
2402.400	35	400	30	2402.600	35	600	30
2402.450	35	450	30				



No.	Icon 1	Icon 2	Icon 3	No.	Icon 1	Icon 2	Icon 3
2403.300	45	300	35-45	2403.500	45	500	35-45
2403.350	45	350	35-45	2403.550	45	550	35-45
2403.400	45	400	35-45	2403.600	45	600	35-45
2403.450	45	450	35-45				



No.	Icon 1	Icon 2	Icon 3	No.	Icon 1	Icon 2	Icon 3
2404.300	45	300	35-45	2404.500	45	500	35-45
2404.350	45	350	35-45	2404.550	45	550	35-45
2404.400	45	400	35-45	2404.600	45	600	35-45
2404.450	45	450	35-45				



No.	Icon 1	Icon 2	Icon 3	No.	Icon 1	Icon 2	Icon 3
2405.300	45	300	35-45	2405.500	45	500	35-45
2405.350	45	350	35-45	2405.550	45	550	35-45
2405.400	45	400	35-45	2405.600	45	600	35-45
2405.450	45	450	35-45				



No.	Icon 1	Icon 2	Icon 3	No.	Icon 1	Icon 2	Icon 3
2406.300	45	300	35-45	2406.500	45	500	35-45
2406.350	45	350	35-45	2406.550	45	550	35-45
2406.400	45	400	35-45	2406.600	45	600	35-45
2406.450	45	450	35-45				



Accessories American ball bearing slide
Applicable 45mm ball bearing slide



SLOW

No.	Icon 1	Icon 2	Icon 3	No.	Icon 1	Icon 2	Icon 3
2509.300	300	225	25	2509.450	450	338	25
2509.350	350	263	25	2509.500	500	375	25
2509.400	400	300	25	2509.550	550	413	25



SLOW

No.	Icon 1	Icon 2	Icon 3	No.	Icon 1	Icon 2	Icon 3
2510.300	300	300	35	2510.450	450	450	35
2510.350	350	350	35	2510.500	500	500	35
2510.400	400	400	35	2510.550	550	550	35



SLOW

No.	Icon 1	Icon 2	Icon 3	No.	Icon 1	Icon 2	Icon 3
2512.300	300	300	35	2512.450	450	450	35
2512.350	350	350	35	2512.500	500	500	35
2512.400	400	400	35	2512.550	550	550	35



SLOW

No.	Icon 1	Icon 2	Icon 3	No.	Icon 1	Icon 2	Icon 3
2517.300	12"	300	35	2517.450	18"	450	35
2517.350	14"	350	35	2517.500	21"	500	35
2517.400	16"	400	35				



No.	300	225	25	No.	450	338	25
2513.300	300	225	25	2513.450	450	338	25
2513.350	350	263	25	2513.500	500	375	25
2513.400	400	300	25	2513.550	550	413	25



No.	300	300	35	No.	450	450	35
2514.300	300	300	35	2514.450	450	450	35
2514.350	350	350	35	2514.500	500	500	35
2514.400	400	400	35	2514.550	550	550	35



No.	300	300	35	No.	450	450	35
2516.300	300	300	35	2516.450	450	450	35
2516.350	350	350	35	2516.500	500	500	35
2516.400	400	400	35	2516.550	550	550	35

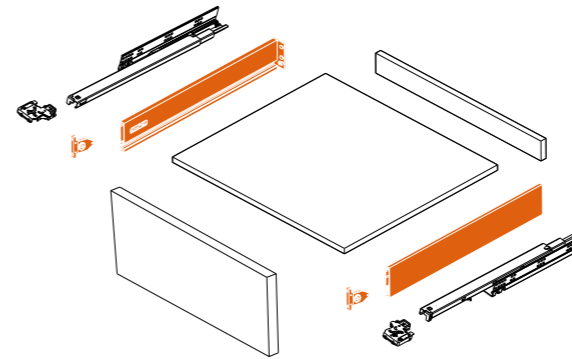


No.	89	270	No.	89	450	35	Steel
2538.270	89	270	2538.450	89	450	35	Steel
2538.300	89	300	2538.500	89	500	35	Steel
2538.350	89	350	2538.550	89	550	35	Steel
2538.400	89	400					



No.	121	270	No.	121	450	35	Steel
2539.270	121	270	2539.450	121	450	35	Steel
2539.300	121	300	2539.500	121	500	35	Steel
2539.350	121	350	2539.550	121	550	35	Steel
2539.400	121	400					

No.	152	270	No.	152	450	35	Steel
2540.270	152	270	2540.270	152	450	35	Steel
2540.300	152	300	2540.300	152	500	35	Steel
2540.350	152	350	2540.350	152	550	35	Steel
2540.400	152	400					



No.	185	270	No.	185	450	35	Steel
2541.270	185	270	2541.270	185	450	35	Steel
2541.300	185	300	2541.300	185	500	35	Steel
2541.350	185	350	2541.350	185	550	35	Steel
2541.400	185	400	2541.400	185	550	35	Steel

No.	270	No.	450
2538SR.270	270	2538SR.450	450
2538SR.300	300	2538SR.500	500
2538SR.350	350	2538SR.550	550
2538SR.400	400		

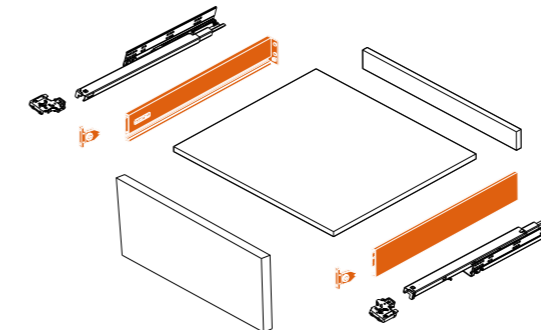


No.	89	270	No.	89	450	35	Aluminum
2517.270	89	270	2517.450	89	450	35	Aluminum
2517.300	89	300	2517.500	89	500	35	Aluminum
2517.350	89	350	2517.550	89	550	35	Aluminum
2517.400	89	400					



No.	121	270	No.	121	450	35	Aluminum
2518.270	121	270	2518.450	121	450	35	Aluminum
2518.300	121	300	2518.500	121	500	35	Aluminum
2518.350	121	350	2518.550	121	550	35	Aluminum
2518.400	121	400					

No.	185	270	No.	185	450	35	Aluminum
2519.270	185	270	2519.270	185	450	35	Aluminum
2519.300	185	300	2519.300	185	500	35	Aluminum
2519.350	185	350	2519.350	185	550	35	Aluminum
2519.400	185	400	2519.400	185	550	35	Aluminum



No.	270	No.	450
2617SR.270	270	2617SR.450	450
2617SR.300	300	2617SR.500	500
2617SR.350	350	2617SR.550	550
2617SR.400	400		

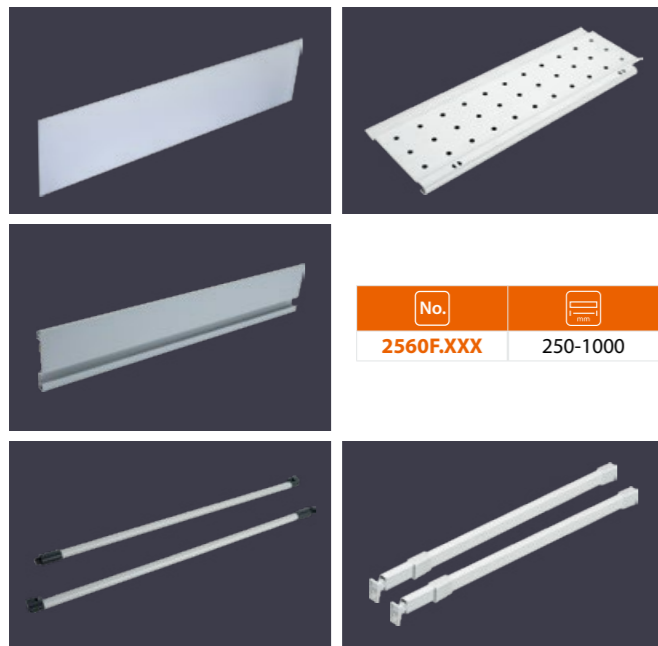




No.	mm	No.	mm	kg	Material
2560.270	270	2560.450	450		
2560.300	300	2560.500	500	35	Steel
2560.350	350	2560.550	550		
2560.400	400				
2561.270	270	2561.450	450		
2561.300	300	2561.500	500	35	Steel
2561.350	350	2561.550	550		
2561.400	400				
2562.270	270	2562.270	450		
2562.300	300	2562.300	500	35	Steel
2562.350	350	2562.350	550		
22562.400	400	2562.400			

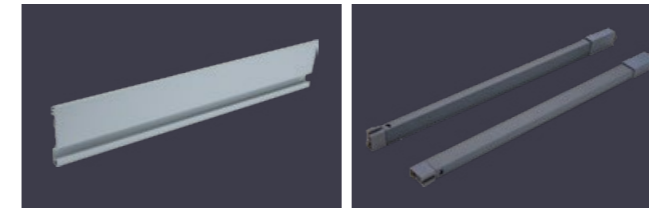
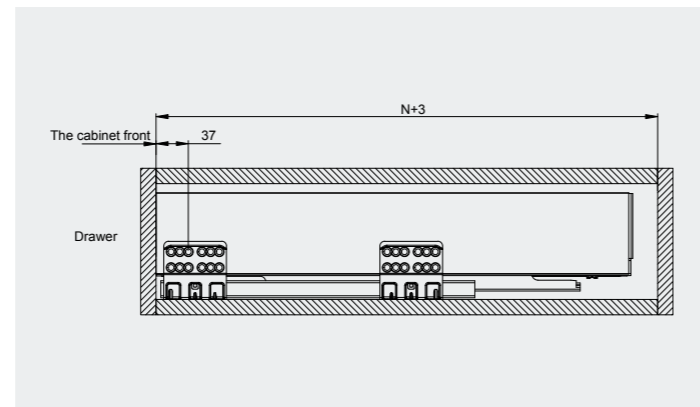
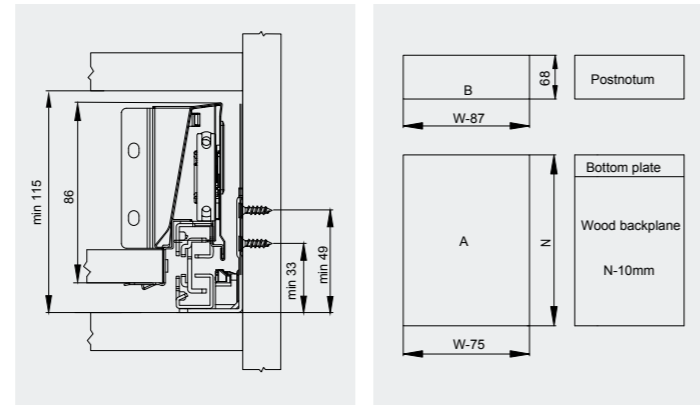


No.	mm	No.	mm	kg	Material
2563.270	270	2563.450	450		
2563.300	300	2563.500	500	35	Steel
2563.350	350	2563.550	550		
2563.400	400				
2564.270	270	2564.450	450		
2564.300	300	2564.500	500	35	Steel
2564.350	350	2564.550	550		
2564.400	400				
2565.270	270	2565.270	450		
2565.300	300	2565.300	500	35	Steel
2565.350	350	2565.350	550		
2565.400	400	2565.400			
2566.270	270	2566.270	450		
2566.300	300	2566.300	500	35	Steel
2566.350	350	2566.350	550		
2566.400	400	2566.400			



No.	mm
2560F.XXX	250-1000

No.	mm	No.	mm	No.	mm	No.	mm
2560RR.270	270	2560RR.450	450	2560SR.270	270	2560SR.450	450
2560RR.300	300	2560RR.600	600	2560SR.300	300	2560SR.600	600
2560RR.350	350	2560RR.550	550	2560SR.350	350	2560SR.550	550
2560RR.400	400			2560SR.400	400		



No.	mm	No.	mm	No.	mm
2563F.XXX	250-1000	2563SR.270	270	2563SR.450	450
		2563SR.300	300	2563SR.600	600
		2563SR.350	350	2563SR.550	550
		2563SR.400	400		

